

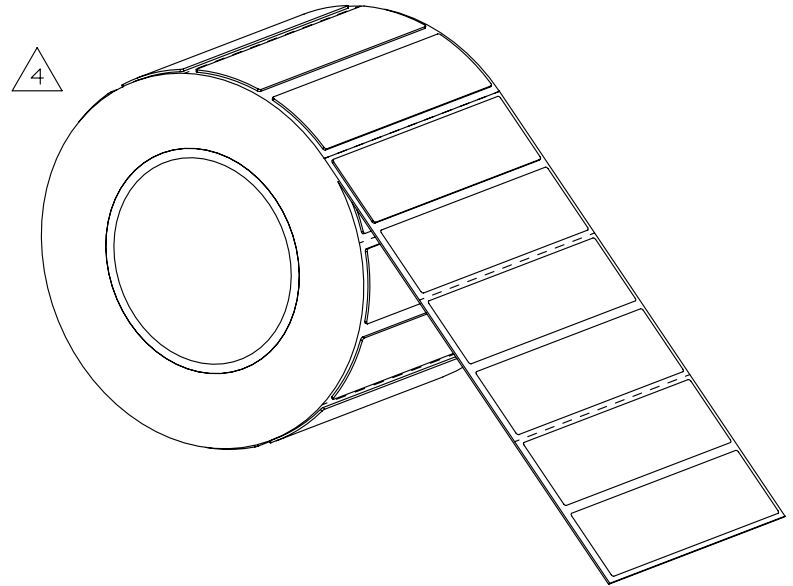
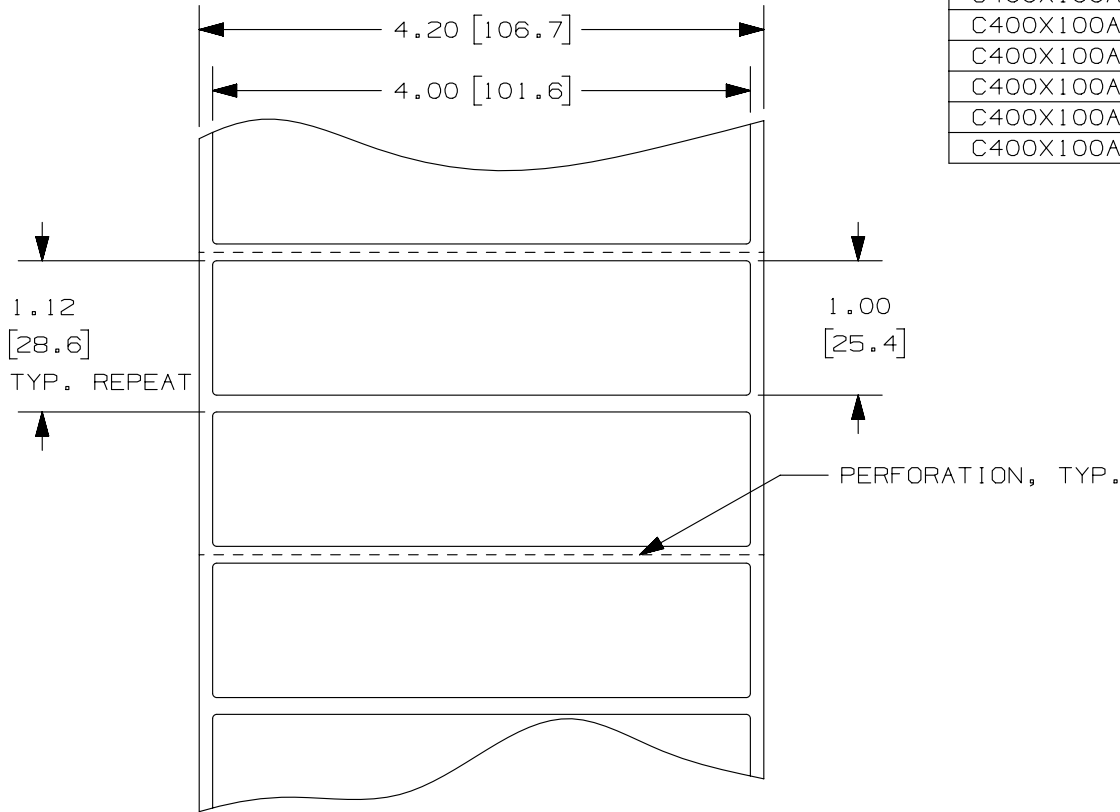
THIS COPY IS PROVIDED ON A RESTRICTED BASIS AND IS NOT TO BE USED IN ANY WAY DETRIMENTAL TO THE INTERESTS OF PANDUIT CORP.

NOTES:

1. DIMENSIONS IN [] ARE IN MILLIMETERS.



PANDUIT PART NO.	MATERIAL	FACE COLOR	PKG. QTY.	THICKNESS	PRODUCT TYPE
C400X100AOT	GMH3	BLACK	500	.030 +/- .010	POLYESTER/ FOAM COMPONENT LABEL
C400X100ABT		YELLOW			
C400X100AMT		SILVER			
C400X100APT	GMH3-W	WHITE			
C400X100AST	GMH3	GREEN			
C400X100AUT		ORANGE			
C400X100AWT		RED			



TITLE RAISED PANEL COMPONENTS LABELS C400X100A*T CUSTOMER DRAWING	
ITEM REVISION NAME 100491BS/06	PANDUIT TM
DATASET FILE NAME 100491BS-DC-C10732/06E	
UNLESS OTHERWISE SPECIFIED, DIMENSIONAL TOLERANCES ARE: IN [mm] .x ± .12 [3.05] .xxx ± .025 [.635] .xx ± .062 [1.57] ANGLES ±	
DRAWING NUMBER: C10732	
DRAWN BY RVU	DATE 9/5/08
CHK SCWE	SCALE NTS
SHT 1 OF 1	
SIZE A	

REV	DATE	BY	CHK	APR	DESCRIPTION	ECN
4	1/18/13	RVU	DAPE	SEWH	ADD material column and ISO view. Update part numbers sequence list.	GAECN00539
3	5/6/11	RVU	DAPE		TOL. SHOULD BE .12, .062, NOT .1, .050. ADD NEW PN: C400X100AUT.	6348
2	1/30/09	RVU	DAPE		ADDED "TYP. REPEAT". 4.00 WAS 3.99.	5592
1	1/14/09	RVU	DAPE		VOID	
0	9/5/08	RVU	DAPE	PTR	DRAWING RELEASE.	5537

D10100DA/12